

Air Conditioning

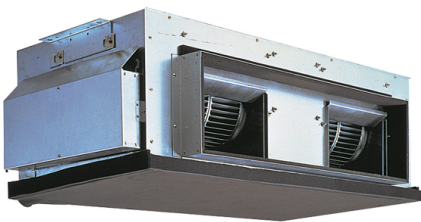
Product Information

PEA-RP400GAQ : Standard Inverter Heat Pump

R410A Large Capacity Ceiling Concealed Ducted System



The Standard Inverter range offers customers all the features and benefits of inverter technology whilst being cost effective



FEATURES



INDOOR

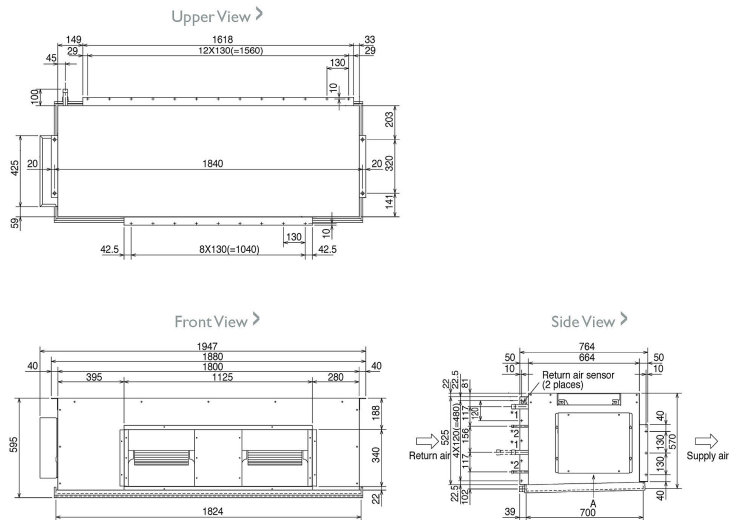
Heating Capacity (kW) (nominal)	44.8 (19-50)
Cooling Capacity (kW) (nominal)	38 (18-44.8)
Heating Capacity (kW) (UK)	38.1 (16.15-42.5)
Cooling Capacity (kW) (UK)	34.95 (16.55-41.2)
SHF (nominal & UK)	0.75
COP / EER (Nominal)	3.14 / 2.72
Energy Label Heating / Cooling (nominal)	D / D
Airflow (m ³ /min)	120
Pipe Size Gas (mm [in])	28.58 (1 1/8") X2
Pipe Size Liquid (mm [in])	9.52 (3/8") X2
External Static Pressure (Pa)	150
Sound Pressure Level (dBA)	52
Dimensions (mm) Width x Depth x Height	1947 x 764 x 595
Weight (kg)	130
Electrical Supply	380-415V, 50HZ
Phase	THREE
Power Input (kW) nominal / UK	1.55 / 1.38
Starting Current (A)	8.7
Running Current (A) [MAX]	3.8 [4.6]
Fuse Rating (BS88) - HRC (A)	10
Mains Cable No. Cores	5
Interconnecting Cable No. Cores	3

OUTDOOR

Sound Pressure Level (dBA) Heating / Cooling	59 / 59
Weight (kg)	126
Dimensions (mm) Width x Depth x Height	950 x (330+30) x 1350
Electrical Supply	380-415V, 50HZ
Phase	THREE
System Power Input (kW) Heating / Cooling (nominal)	14.27 / 13.97
System Power Input (kW) Heating / Cooling (UK)	12.70 / 11.88
Starting Current (A)	5
System Running Current (A) Heating / Cooling [MAX]	9.88 / 9.47 [19.0]
Fuse Rating (BS88) - HRC (A)	20
Mains Cable No. Cores	5
Max Pipe Length (m)	70
Max Height Difference (m)	30
Charge R410A (kg) - Pre-charged Length (m)	5.8 - 30

DIMENSIONS

PEA-RP400GAQ



DIMENSIONS

PUHZ-P200YHA3

